

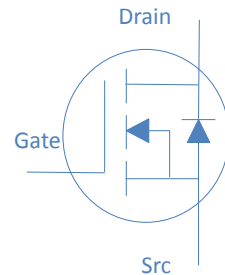
20V N-Ch Power MOSFET
Feature

- ◇ High Speed Power Switching, Logic Level
- ◇ Enhanced Avalanche Ruggedness
- ◇ 100% UIS Tested, 100% Rg Tested
- ◇ Lead Free, Halogen Free

V_{DS}		20	V
$R_{DS(on),typ}$	$V_{GS}=10V$	18	mΩ
I_D (Silicon Limited)		6	A

Application

- ◇ Hard Switching and High Speed Circuit
- ◇ DC/DC in Telecoms and Industrial

SOT-23


Part Number	Package	Marking
HTJ200N02	SOT23	10

Absolute Maximum Ratings at $T_J=25^{\circ}C$ (unless otherwise specified)

Parameter	Symbol	Conditions	Value	Unit
Continuous Drain Current (Silicon Limited)	I_D	$T_A=25^{\circ}C$	6	A
		$T_A=100^{\circ}C$	4	
Drain to Source Voltage	V_{DS}	-	20	V
Gate to Source Voltage	V_{GS}	-	± 12	V
Pulsed Drain Current	I_{DM}	-	24	A
Power Dissipation	P_D	$T_A=25^{\circ}C$	1.25	W
Operating and Storage Temperature	T_J, T_{stg}	-	-55 to 150	$^{\circ}C$

Absolute Maximum Ratings

Parameter	Symbol	Max	Unit
Thermal Resistance Junction-Ambient	$R_{\theta JA}$	100	$^{\circ}C/W$

Electrical Characteristics at $T_j=25^\circ\text{C}$ (unless otherwise specified)
Static Characteristics

Parameter	Symbol	Conditions	Value			Unit
			min	typ	max	
Drain to Source Breakdown Voltage	$V_{(BR)DSS}$	$V_{GS}=0V, I_D=250\mu A$	20	-	-	V
Gate Threshold Voltage	$V_{GS(th)}$	$V_{GS}=V_{DS}, I_D=250\mu A$	0.45	0.75	1.2	
Zero Gate Voltage Drain Current	I_{DSS}	$V_{GS}=0V, V_{DS}=16V, T_j=25^\circ\text{C}$	-	-	1	μA
		$V_{GS}=0V, V_{DS}=16V, T_j=125^\circ\text{C}$	-	-	10	
Gate to Source Leakage Current	I_{GSS}	$V_{GS}=\pm 12V, V_{DS}=0V$	-	-	± 100	nA
Drain to Source on Resistance	$R_{DS(on)}$	$V_{GS}=4.5V, I_D=6A$	-	18	20	$m\Omega$
		$V_{GS}=2.5V, I_D=5A$	-	28	35	
Transconductance	g_{fs}	$V_{DS}=5V, I_D=6A$	-	7	-	S

Dynamic Characteristics

Input Capacitance	C_{iss}	$V_{GS}=0V, V_{DS}=10V, f=1\text{MHz}$	-	560	-	pF
Output Capacitance	C_{oss}		-	166	-	
Reverse Transfer Capacitance	C_{rss}		-	150	-	
Total Gate Charge	Q_g	$V_{DD}=10V, I_D=6A, V_{GS}=4.5V$	-	8.5	-	nC
Gate to Source Charge	Q_{gs}		-	1.5	-	
Gate to Drain (Miller) Charge	Q_{gd}		-	3.5	-	
Turn on Delay Time	$t_{d(on)}$	$V_{DD}=10V, I_D=1A, V_{GS}=4.5V, R_G=6\Omega,$	-	12	-	ns
Rise time	t_r		-	15	-	
Turn off Delay Time	$t_{d(off)}$		-	30	-	
Fall Time	t_f		-	15	-	

Reverse Diode Characteristics

Diode Forward Voltage	V_{SD}	$V_{GS}=0V, I_F=2A$	-		1.2	V
-----------------------	----------	---------------------	---	--	-----	---

Fig 1. Typical Output Characteristics

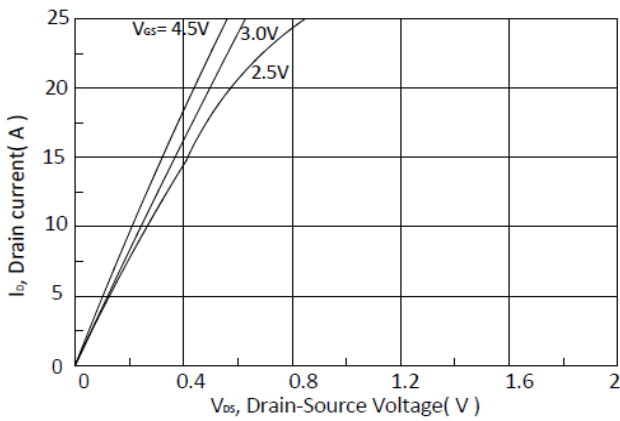


Figure 2. On-Resistance vs. Gate-Source Voltage

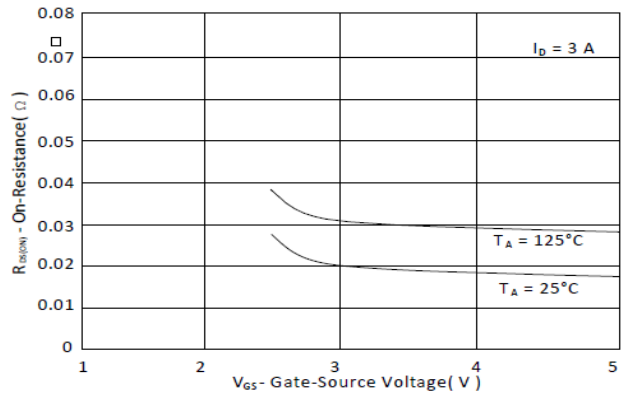


Figure 3. On-Resistance vs. Drain Current and Gate Voltage

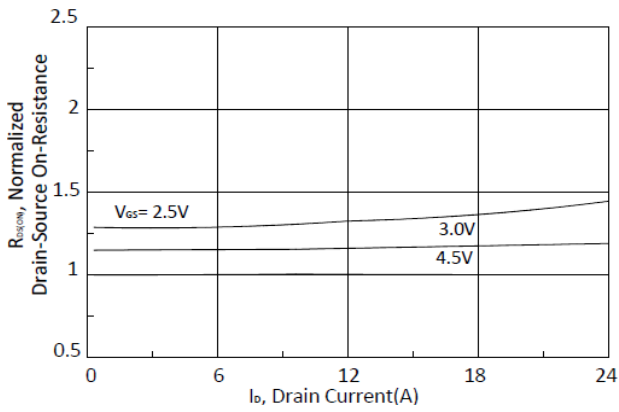


Figure 4. Normalized On-Resistance vs. Junction Temperature

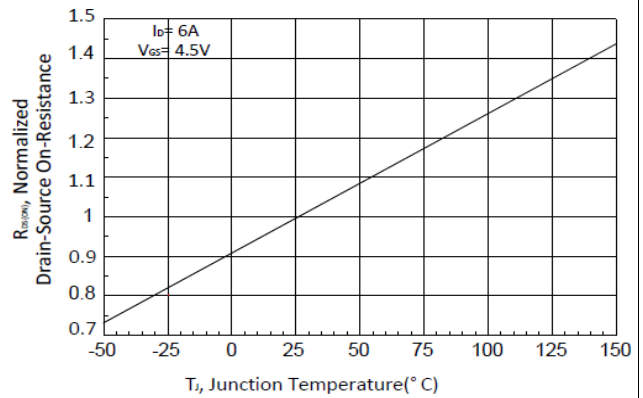


Figure 5. Typical Transfer Characteristics

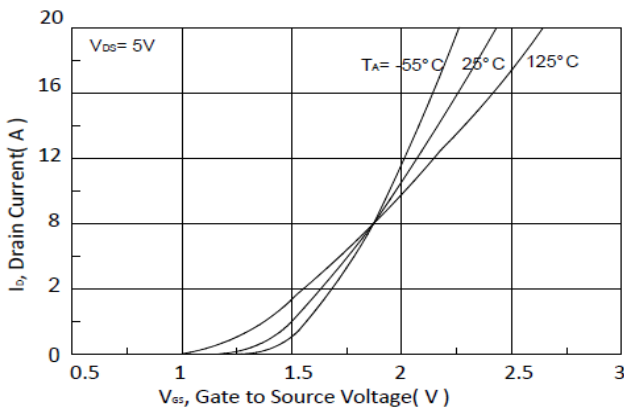


Figure 6. Typical Source-Drain Diode Forward Voltage

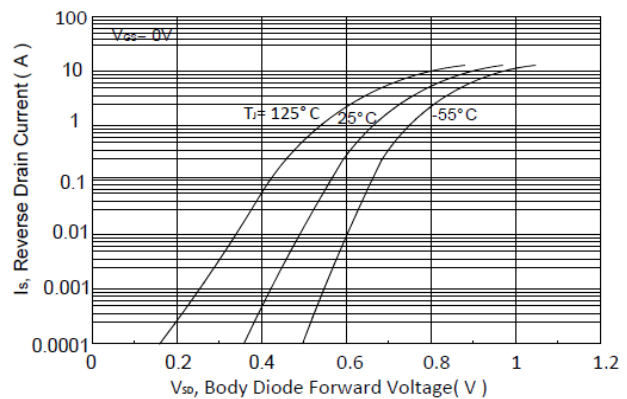


Figure 7. Typical Gate-Charge vs. Gate-to-Source Voltage

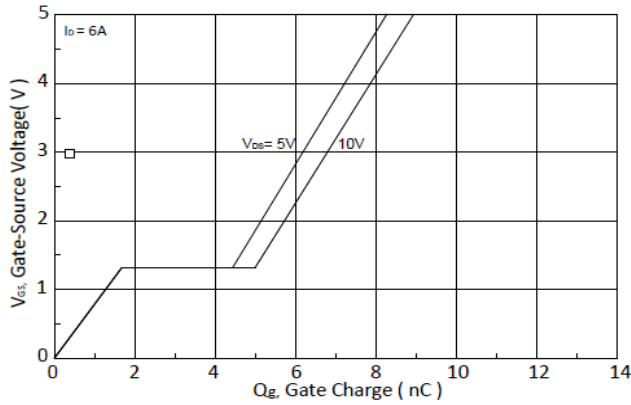


Figure 8. Typical Capacitance vs. Drain-to-Source Voltage

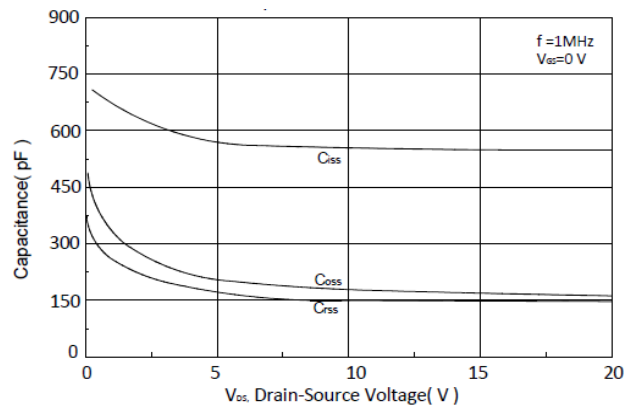


Figure 9. Maximum Safe Operating Area

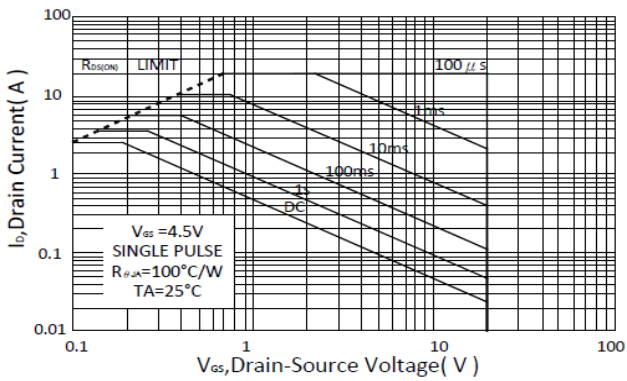


Figure 10. Single Pulse Maximum Power Dissipation

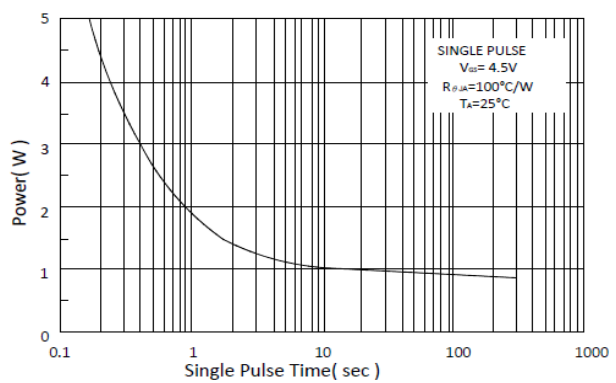
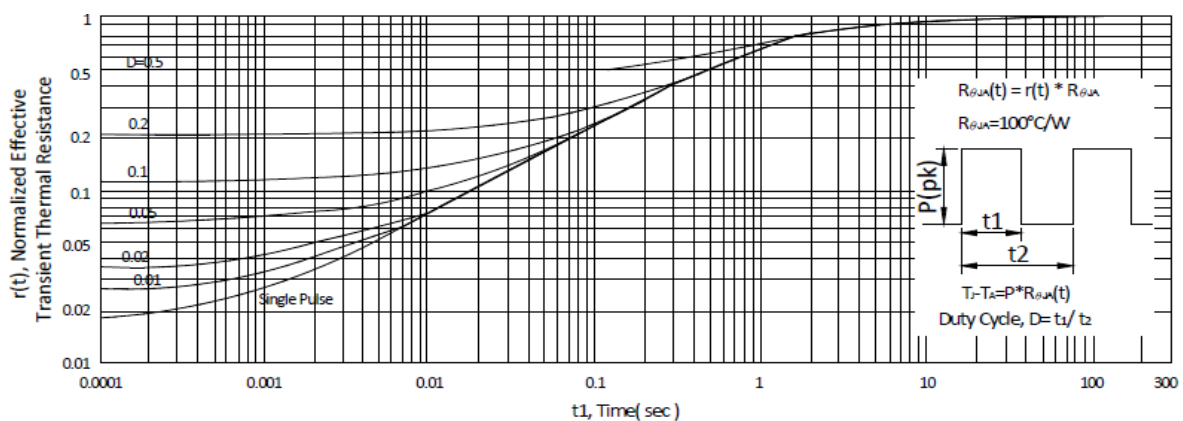
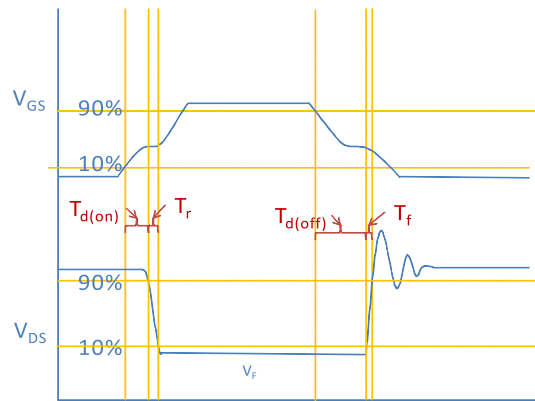
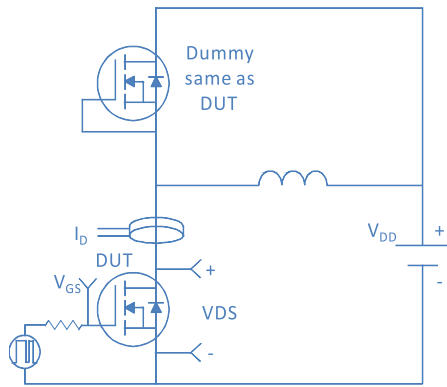


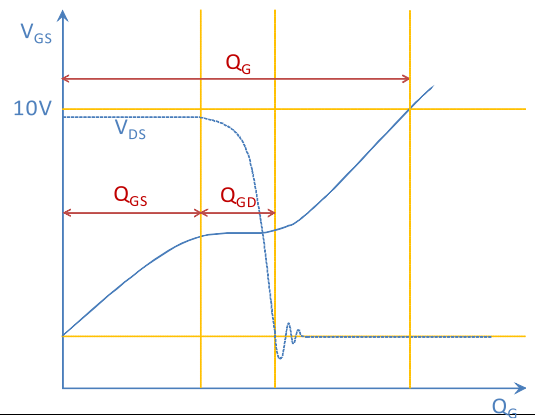
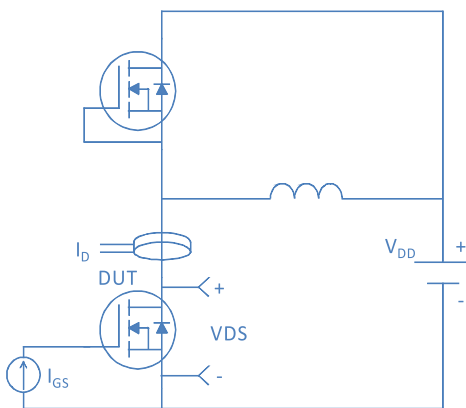
Figure 11. Normalized Maximum Transient Thermal Impedance, Junction-to-Ambient



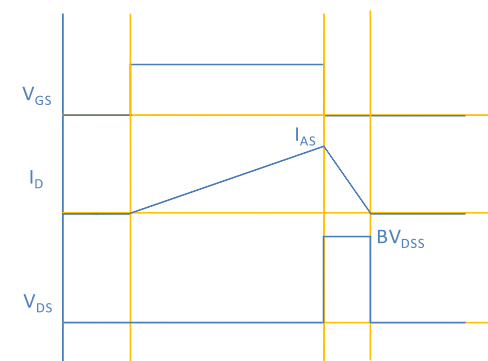
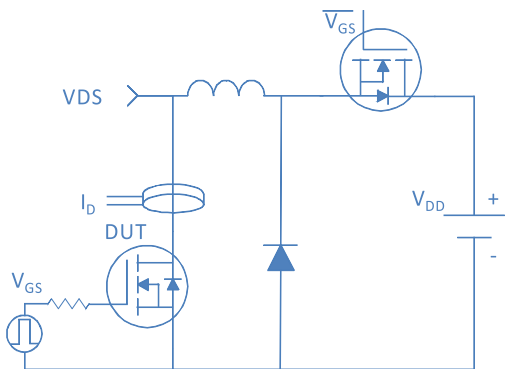
Inductive switching Test



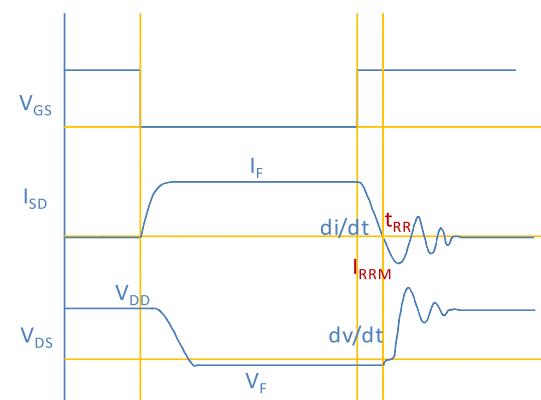
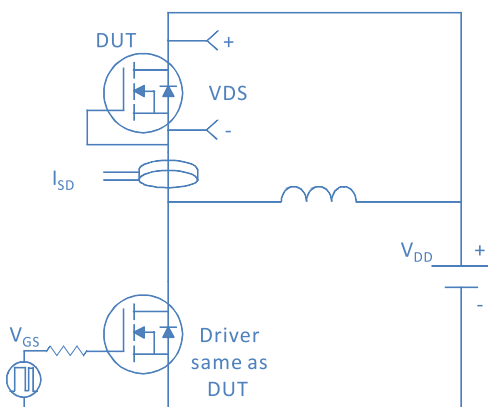
Gate Charge Test



Uclamped Inductive Switching (UIS) Test

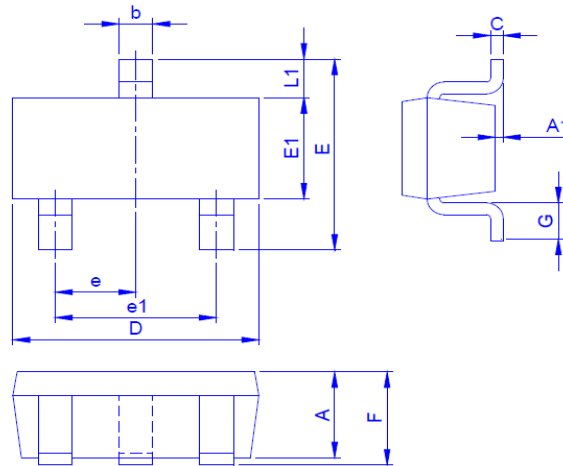


Diode Recovery Test



Package Outline

SOT-23, 3leads



Dimension in mm

Dimension	A	A1	A2	b	C	D	E	E1	e	e1	F	G	L1
Min.	0.7	0		0.35	0.1	2.8	2.6	1.5	0.9		0.8	0.3	0.55
Typ.						2.9	2.8	1.6	0.95	1.9			
Max.	1.12	0.1		0.5	0.2	3	3	1.7	1		1.2	0.6	0.65